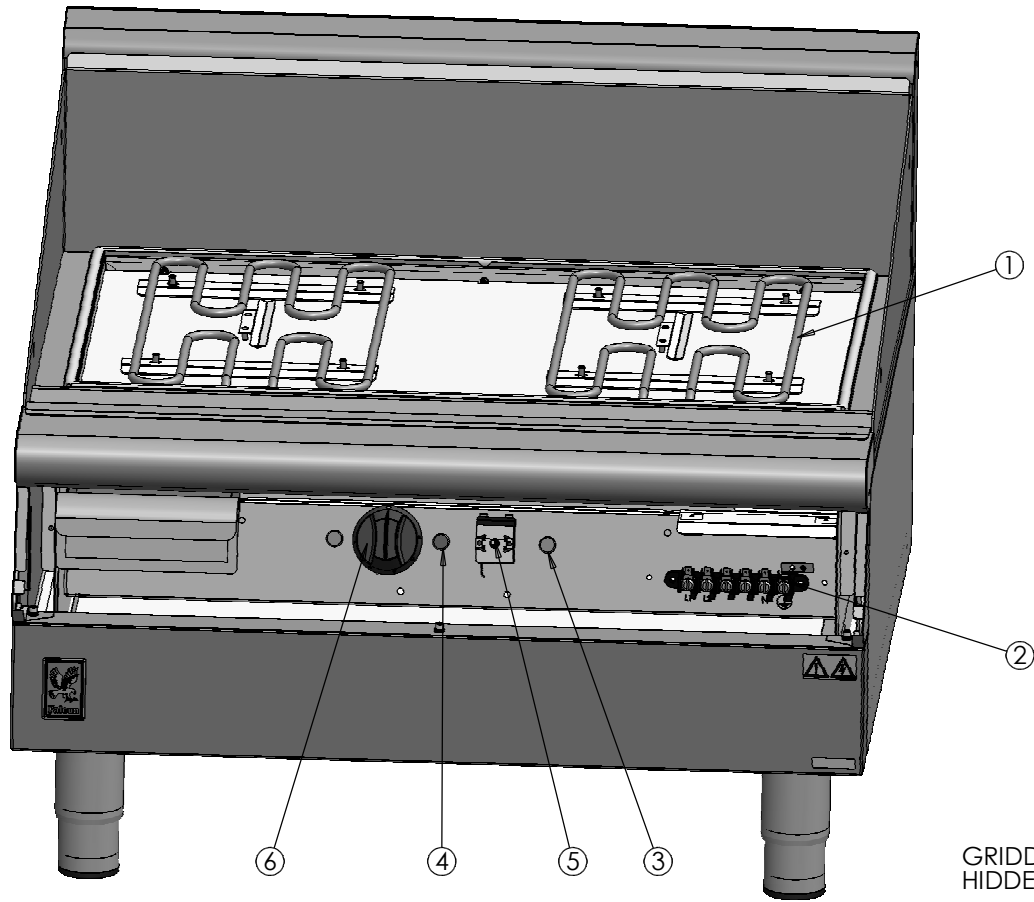


ITEM	DESCRIPTION	SPARES No	
		240 VOLT	208 VOLT
1	ELEMENT	539113100	735910008
2	TERMINAL BLOCK	731000006	
3	AMBER NEON	731740440	
4	RED NEON	730962010	
5	OPERATING STAT	537800028	
6	CONTROL KNOB	735850003	

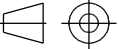


GRIDDLE PLATE , CONTROL PANEL AND KNOB
HIDDEN TO SHOW SPARE PARTS

PRODUCTION ISSUE

ISSUE	MOD No	ALTERATION	DRAWN BY	DATE
A	1385	PRODUCTION ISSUE	S.McGUINNESS	29/08/13
B	7024	ITEM 5 WAS 539110371, NOW 539113110	S.McGUINNESS	12/12/13
C	1478	208v ELEMENT ADDED	G.SMITH	05/08/14
D	7585	THERMOSTAT WAS 539113110	F.GARVOCK	25/04/16

IF IN DOUBT ASK
DO NOT SCALE
FIRST ANGLE PROJECTION



UNLESS OTHERWISE SPECIFIED:
DIMENSIONS ARE IN MILLIMETERS
TOLERANCES:
LINEAR: ±0.5mm
ANGULAR: ±0.5 DEG

DEBUR AND
BREAK SHARP EDGES

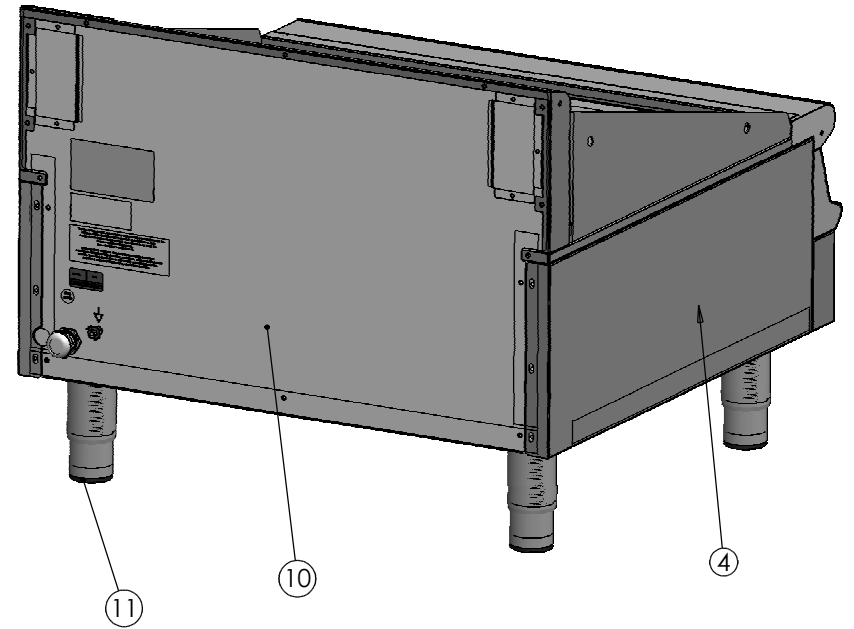
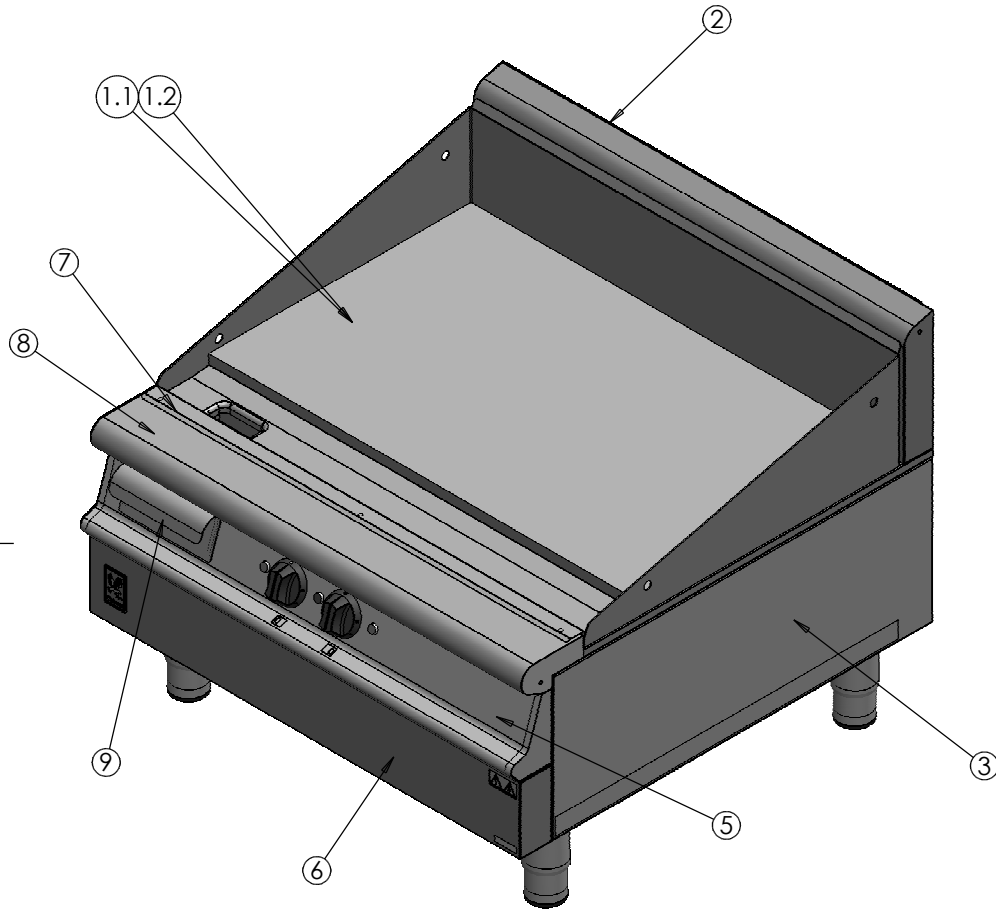
WEIGHT: 124242.01g



DRAWN: S.McGUINNESS	PRODUCT		E3481 GRIDDLE	
DATE: 26/03/13	TITLE		SPARES ELECTRICS	
SCALE: 1:5	DRAWING NUMBER		ISSUE	
MATL:	THICKNESS:		FINISH:	
BIN No:	PART No:		AD50301	
			D	

NO REPRODUCTION OR PUBLICATION OF THIS DRAWING MAY BE MADE AND NO ARTICLE MAY BE MANUFACTURED OR ASSEMBLED IN ACCORDANCE WITH THIS DRAWING WITHOUT PRIOR WRITTEN CONSENT. THIS PROHIBITION IS A TERM OF ANY CONTRACT RELATING TO THIS DRAWING. RIGHTS RESERVED UNDER THE COPYRIGHT ACT 1956 AS AMENDED BY THE DESIGN COPYRIGHT ACT 1968


ITEM	DESCRIPTION	SPARES No
1.1	GRIDDLE PLATE SMOOTH	735910000
1.2	GRIDDLE PLATE HALF RIBBED (NOT SHOWN)	735910001
2	FLUE	735910002
3	SIDE PANEL R/H	535150009
4	SIDE PANEL L/H	535150008
5	CONTROL PANEL	735910003
6	FACIA PANEL	735910004
7	CAPPING CHANNEL	735910005
8	HOB	735910006
9	FAT JUG ASSEMBLY	535150012
10	REAR PANEL	735910007
11	ADJUSTABLE FEET	535150013



PRODUCTION ISSUE

ISSUE	MOD No	ALTERATION	DRAWN BY	DATE
A	1385	PRODUCTION ISSUE	S.McGUINNESS	29/08/13

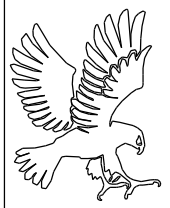
IF IN DOUBT ASK
DO NOT SCALE
FIRST ANGLE PROJECTION



UNLESS OTHERWISE SPECIFIED:
DIMENSIONS ARE IN MILLIMETERS
TOLERANCES:
LINEAR: ±0.5mm
ANGULAR: ±0.5 DEG

DEBUR AND
BREAK SHARP EDGES

WEIGHT: 103487.90g



DRAWN: S.McGUINNESS	PRODUCT	E3481/R GRIDDLE	
DATE: 26/03/13	TITLE	SPARES FITMENTS	
SCALE: 1:7	MATL:	DRAWING NUMBER	ISSUE
THICKNESS:	FINISH:	AD50300	A
BIN No:	PART No:		